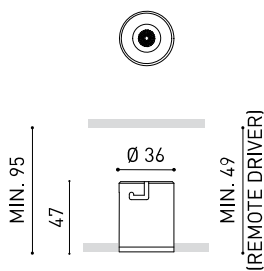




DIMENSIONES



ACCESORIOS



TRIMLESS ACCESSORY
(MANDATORY)



TRIMLESS TOOL

PREMIOS



PRODUCTO

| | |
|------------|-----------------------------------|
| Nombre | SHOT LIGHT TRIMLESS 38° 2700K NMG |
| Referencia | A2690120NMG |
| Color | Negro-Oro metalizado |
| RAL | Acabado metalizado |
| Categoría | CEILING RECESSED |

FUENTE DE LUZ

| | |
|----------------------------------|-------------------|
| Tipo | LED |
| Flujo Luminoso | 190 lm |
| Temperatura de color | 2700 K |
| Estabilidad cromática | MacAdam Step 3 |
| Índice de reproducción cromática | CRI > 90 |
| Potencia | 2,1 W |
| Corriente | 700 mA |
| Eficacia | 90 lm/W |
| Horas de Vida del LED | L90B10 > 102.000h |

LUMINARIA | DATOS FOTOMÉTRICOS

| | |
|-----------------------|-----|
| Eficiencia Lumínica | 92% |
| Ángulo del haz de luz | 38° |

LUMINARIA | DATOS ELÉCTRICOS

| | |
|------------------------------|-------------------------------|
| Driver | Incluido - Conectado |
| Potencia del sistema | 3,30 W |
| Tensión | 220V/240V |
| Frecuencia | 50/60 Hz |
| Regulación | No Dim - Otros DIM, consultar |
| Clase de seguridad eléctrica | <input type="checkbox"/> |

OTROS DATOS

| | |
|----------------------------|---|
| Estanqueidad | IP20 |
| Control inalámbrico | Consultar |
| Alimentación de emergencia | Consultar |
| Medidas de empotramiento | Ø43 mm |
| Peso | 100 g |
| Peso con embalaje | 120 g |
| Dimensiones embalaje | 77 x 70 x 53 mm |
| Unidades por embalaje | 1 |
| Materiales | Aluminio / Acrilonitrilo Butadieno Estireno / Policarbonato |



Una luminaria concebida para ser un pequeño y discreto punto de luz en el techo que oculta a la vista el origen de la iluminación y busca ofrecer el máximo confort visual. Para ello, está provisto de una pantalla antideslumbramiento y un micro-reflector (diseñado específicamente) que genera un haz de luz perfectamente definido.

DIAGRAMA POLAR



DIAGRAMA CÓNICO



UGR

| Glare Evaluation According to UGR | | | | | | | | | | | |
|--|-----|--|------|------|------|------|---|------|------|------|------|
| Room Size | | 70 | 70 | 50 | 50 | 30 | 70 | 70 | 50 | 50 | 30 |
| X Y | | 50 | 30 | 50 | 30 | 30 | 50 | 30 | 50 | 30 | 30 |
| Room Size | | 20 | 20 | 20 | 20 | 20 | 20 | 20 | 20 | 20 | 20 |
| X Y | | Viewing direction at right angles to lamp axis | | | | | Viewing direction parallel to lamp axis | | | | |
| 2H | 2H | -4.9 | -4.2 | -4.6 | -4.0 | -3.8 | -4.7 | -4.1 | -4.5 | -3.9 | -3.7 |
| | 3H | -1.1 | -0.5 | -0.8 | -0.3 | -0.0 | -1.3 | -0.7 | -1.0 | -0.4 | -0.2 |
| | 4H | 0.7 | 1.3 | 1.0 | 1.5 | 1.8 | 0.8 | 1.4 | 1.1 | 1.6 | 1.9 |
| | 6H | 2.9 | 3.4 | 3.2 | 3.6 | 3.9 | 3.2 | 3.7 | 3.5 | 3.9 | 4.2 |
| | 8H | 4.2 | 4.7 | 4.5 | 5.0 | 5.2 | 4.3 | 4.8 | 4.7 | 5.1 | 5.4 |
| 4H | 2H | -3.7 | -3.2 | -3.4 | -2.9 | -2.7 | -3.6 | -3.1 | -3.3 | -2.8 | -2.6 |
| | 3H | 0.1 | 0.6 | 0.5 | 0.9 | 1.2 | 0.2 | 0.6 | 0.5 | 0.9 | 1.2 |
| | 4H | 2.2 | 2.6 | 2.5 | 2.9 | 3.2 | 2.4 | 2.8 | 2.7 | 3.1 | 3.4 |
| | 6H | 4.5 | 4.8 | 4.9 | 5.2 | 5.6 | 4.8 | 5.2 | 5.2 | 5.5 | 5.9 |
| | 8H | 5.9 | 6.2 | 6.3 | 6.6 | 7.0 | 6.1 | 6.4 | 6.5 | 6.8 | 7.2 |
| 8H | 2H | 7.4 | 7.6 | 7.8 | 8.0 | 8.4 | 7.5 | 7.8 | 8.0 | 8.2 | 8.6 |
| | 4H | 3.2 | 3.4 | 3.6 | 3.8 | 4.2 | 3.3 | 3.6 | 3.7 | 4.0 | 4.4 |
| | 6H | 5.7 | 5.9 | 6.2 | 6.3 | 6.8 | 5.9 | 6.1 | 6.4 | 6.6 | 7.0 |
| | 8H | 7.3 | 7.4 | 7.7 | 7.9 | 8.3 | 7.4 | 7.5 | 7.8 | 8.0 | 8.4 |
| | 12H | 8.9 | 9.1 | 9.4 | 9.5 | 10.0 | 9.0 | 9.2 | 9.5 | 9.6 | 10.1 |
| 12H | 4H | 3.4 | 3.7 | 3.8 | 4.1 | 4.5 | 3.5 | 3.8 | 4.0 | 4.2 | 4.6 |
| | 6H | 6.1 | 6.2 | 6.5 | 6.7 | 7.2 | 6.3 | 6.4 | 6.7 | 6.9 | 7.3 |
| | 8H | 7.7 | 7.9 | 8.2 | 8.3 | 8.8 | 7.8 | 8.0 | 8.3 | 8.4 | 8.9 |
| Variation of the observer position for the luminaire distances S | | | | | | | | | | | |
| S = 1.0H | | +0.4 / -0.2 | | | | | +0.4 / -0.2 | | | | |
| S = 1.5H | | +0.9 / -0.5 | | | | | +0.9 / -0.4 | | | | |
| S = 2.0H | | +1.6 / -0.6 | | | | | +1.6 / -0.6 | | | | |
| Standard table Correction Summand | | --- | | | | | --- | | | | |
| Corrected Glare Indices referring to 190lm Total Luminous Flux | | | | | | | | | | | |

TRIMLESS ACCESSORIES

ARKOSLIGHT

MANDATORY FOR INSTALLATION

SHOT LIGHT Trimless Accessory A269-00-00



SHOT LIGHT Trimless Accessory 2 A269-00-01



SHOT LIGHT Trimless Accessory 3 A269-00-02



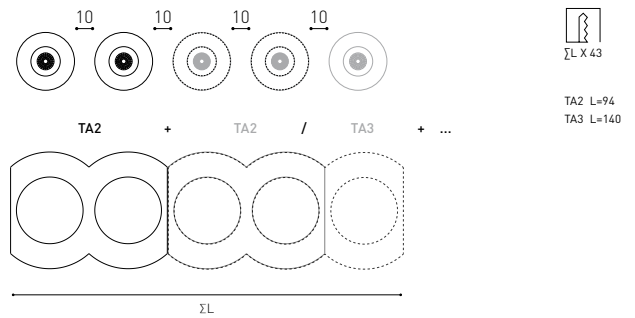
SHOT LIGHT Trimless Accessory 2x2 A269-00-03



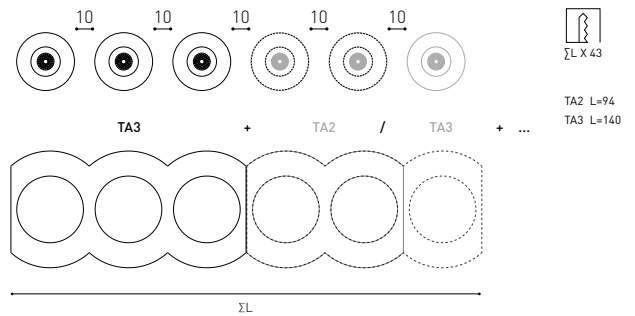
CUSTOM LAYOUT EXAMPLES

For equidistant compositions

Trimless Accessory 2 + Trimless Accessory 2 / Trimless Accessory 3

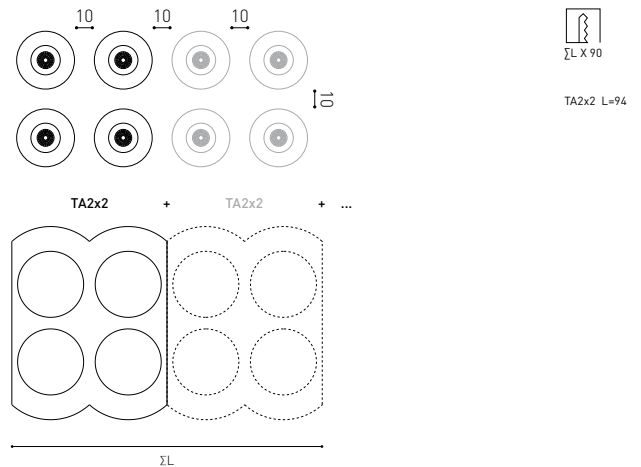


Trimless Accessory 3 + Trimless Accessory 2 / Trimless Accessory 3



Trimless Accessory 2x2 + Trimless Accessory 2x2

THE "TA2x2" FRAME IS ONLY COMPATIBLE WITH FURTHER "TA2x2" FRAMES



MATERIAL | IRON | COATING | ZINC PLATED



INSTALLATION GUIDE

https://youtu.be/sa_xAgj4ji4

PRODUCT

| | |
|-----------|-----------------------------------|
| Model | Trimless Tool D43 X D70 MM |
| Reference | A478-00-02 |
| Category | Accessories |





Fuente de luz (LED) reemplazable por un profesional autorizado

Replaceable (LED only) light source by an authorized professional.

Source lumineuse (LED) remplaçable par un professionnel agréé

Sorgente luminosa (LED) sostituibile da parte di un professionista autorizzato

Austauschbare (LED) Lichtquelle durch einen autorisierten Fachmann



Equipo de control reemplazable por un profesional autorizado

Replaceable control gear by an authorized professional

Dispositif de commande remplaçable par un professionnel agréé

Alimentatore sostituibile da parte di un professionista autorizzato

Auswechselbares Betriebsgerät durch autorisierten Fachmann

INSTRUCCIONES PARA EL FINAL DE VIDA Y LA ELIMINACIÓN LOS COMPONENTES
 INSTRUCTIONS ON END-OF-LIFE AND COMPONENT DISPOSAL
 INSTRUCTIONS POUR LA GESTION DES COMPOSANTS EN FIN DE VIE ET LEUR MISE AU REBUT
 ISTRUZIONI PER IL FINE VITA E LO SMALTIMENTO DEI COMPONENTI
 ANWEISUNGEN ZUR ENTSORGUNG DER LEUCHTENKOMPONENTEN



Interrumpir la alimentación del aparato
 Cut the power supply to the luminaire
 Couper l'alimentation du luminaire
 Interrompere l'alimentazione dell'apparecchio
 Stromversorgung der Leuchte unterbrechen



Quitar la(s) fuente(s) de luz para el desecho
 Remove light source(s) for disposal
 Retirer la (les) source(s) lumineuse(s) pour l'élimination
 Rimuovere la/le sorgente/e di luce per lo smaltimento
 Lichtquelle(n) zur Entsorgung entfernen



Quitar la batería para el desecho
 Remove the battery for decommissioning
 Retirer la batterie pour sa mise au rebut
 Rimuovere la batteria per la dismissione
 Die Batterie ordnungsgemäß entsorgen



Quitar el equipo de control para el desecho
 Remove control gear for disposal
 Retirer le dispositif de commande pour l'élimination
 Rimuovere l'alimentatore per lo smaltimento
 Betriebsgerät zur Entsorgung ausbauen



Enviar los materiales a un centro de recogida RAEE
 Send the materials to a WEEE collection centre
 Envoyer les matériaux dans une déchetterie DEEE
 Inviare i materiali ad un centro di raccolta RAEE
 Die Materialien in einem WEEE-Zentrum entsorgen

