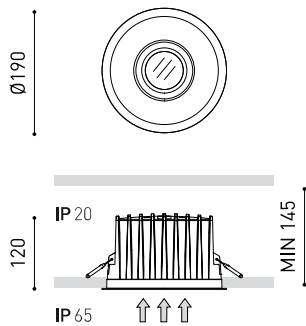




DIMENSIONES



ACCESORIOS



HIGH CHROMATIC LED

| | |
|-------------------|---|
| Nombre | DUOMO IP65 1 4000K W |
| Referencia | A2850112W |
| Color | White |
| RAL | Colour in the mass looks alike RAL 9016 |
| Categoría | CEILING RECESSED |

| | |
|---|----------------------------------|
| Tipo | LED |
| Flujo Luminoso | 2500 lm |
| Temperatura de color | 4000 K - Other K, please consult |
| Estabilidad cromática | MacAdam Step 2 |
| Índice de reproducción cromática | CRI > 90 |
| Potencia | 16,5 W |
| Corriente | 500 mA |
| Eficacia | 152 lm/W |
| Horas de Vida del LED | L90B10 > 55.000h |

| | |
|------------------------------|-----|
| Eficiencia Lumínica | 80% |
| Ángulo del haz de luz | 42° |

| | |
|-------------------------------------|----------------------|
| Driver | Included - Connected |
| Potencia del sistema | 19,08 W |
| Tensión | 220V/240V |
| Frecuencia | 50/60 Hz |
| Regulación | No Dim |
| Clase de seguridad eléctrica | □ |

| | |
|-----------------------------------|---|
| Estanqueidad | IP65/20 |
| Control inalámbrico | Please Consult |
| Alimentación de emergencia | Please Consult |
| Medidas de empotramiento | Ø177 mm |
| Peso | 1590 g |
| Peso con embalaje | 1836 g |
| Dimensiones embalaje | 244 x 227 x 161 mm |
| Unidades por embalaje | 1 |
| Materiales | Aluminium / Polycarbonate / Optical glass |



Combine an elevated luminous flux with an excellent visual comfort: this is the virtue of Duomo. Its recessed LED and its optical glass lense reduce the luminaires UGR value and its ant-glare lampshade diminishes reflections. Duomo is convenient for applications with big ceiling heights and projects with high light level requirements. Conceived to cover demands of general lighting, its conical light distribution offers a very uniform lighting.



DIAGRAMA POLAR

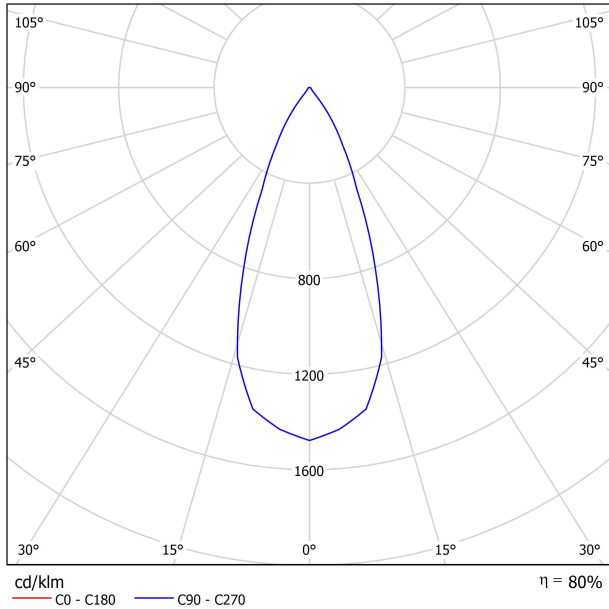
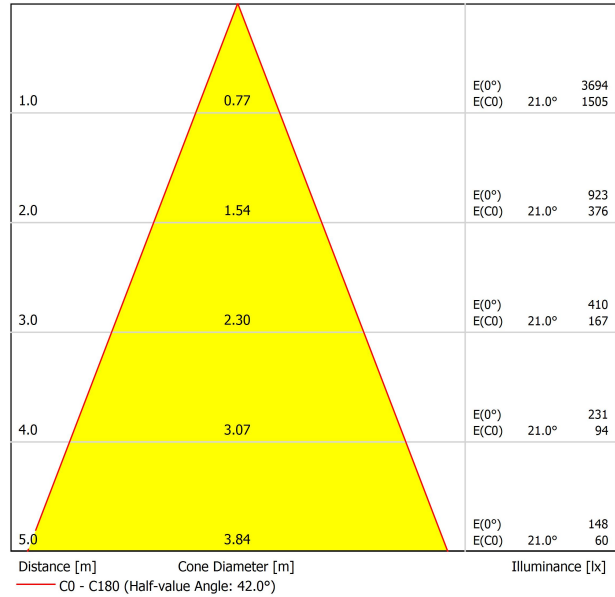


DIAGRAMA CÓNICO



UGR

| Glare Evaluation According to UGR | | | | | | | | | | | |
|--|-------------|--|------|------|------|-------------|---|------|------|------|------|
| ρ Ceiling | 70 | 70 | 50 | 50 | 30 | 70 | 70 | 50 | 50 | 30 | 30 |
| ρ Walls | 50 | 30 | 50 | 30 | 30 | 50 | 30 | 50 | 30 | 30 | 30 |
| ρ Floor | 20 | 20 | 20 | 20 | 20 | 20 | 20 | 20 | 20 | 20 | 20 |
| Room Size X Y | | Viewing direction at right angles to lamp axis | | | | | Viewing direction parallel to lamp axis | | | | |
| 2H | 2H | 5.5 | 6.2 | 5.7 | 6.4 | 6.6 | 5.5 | 6.2 | 5.7 | 6.4 | 6.6 |
| | 3H | 7.9 | 8.5 | 8.2 | 8.8 | 9.0 | 7.9 | 8.5 | 8.2 | 8.8 | 9.0 |
| | 4H | 9.1 | 9.7 | 9.4 | 10.0 | 10.2 | 9.1 | 9.7 | 9.4 | 10.0 | 10.2 |
| | 6H | 10.5 | 11.0 | 10.8 | 11.3 | 11.6 | 10.5 | 11.0 | 10.8 | 11.3 | 11.6 |
| | 8H | 11.1 | 11.7 | 11.5 | 12.0 | 12.3 | 11.1 | 11.7 | 11.5 | 12.0 | 12.3 |
| 4H | 2H | 6.2 | 6.8 | 6.5 | 7.1 | 7.3 | 6.2 | 6.8 | 6.5 | 7.1 | 7.3 |
| | 3H | 8.9 | 9.4 | 9.3 | 9.7 | 10.0 | 8.9 | 9.4 | 9.3 | 9.7 | 10.0 |
| | 4H | 10.4 | 10.8 | 10.7 | 11.1 | 11.5 | 10.4 | 10.8 | 10.7 | 11.1 | 11.5 |
| | 6H | 11.9 | 12.2 | 12.3 | 12.6 | 13.0 | 11.9 | 12.2 | 12.3 | 12.6 | 13.0 |
| | 8H | 12.7 | 13.0 | 13.1 | 13.4 | 13.8 | 12.7 | 13.0 | 13.1 | 13.4 | 13.8 |
| 8H | 2H | 13.5 | 13.8 | 14.0 | 14.2 | 14.6 | 13.5 | 13.8 | 14.0 | 14.2 | 14.6 |
| | 4H | 10.9 | 11.3 | 11.4 | 11.6 | 12.0 | 10.9 | 11.3 | 11.4 | 11.6 | 12.0 |
| | 6H | 12.7 | 13.0 | 13.2 | 13.4 | 13.8 | 12.7 | 13.0 | 13.2 | 13.4 | 13.8 |
| | 8H | 13.7 | 13.9 | 14.2 | 14.3 | 14.8 | 13.7 | 13.9 | 14.2 | 14.3 | 14.8 |
| | 12H | 14.8 | 14.9 | 15.2 | 15.4 | 15.9 | 14.8 | 14.9 | 15.2 | 15.4 | 15.9 |
| 12H | 4H | 11.1 | 11.4 | 11.5 | 11.8 | 12.2 | 11.1 | 11.4 | 11.5 | 11.8 | 12.2 |
| | 6H | 12.9 | 13.2 | 13.4 | 13.6 | 14.1 | 12.9 | 13.2 | 13.4 | 13.6 | 14.1 |
| | 8H | 14.0 | 14.2 | 14.5 | 14.6 | 15.1 | 14.0 | 14.2 | 14.5 | 14.6 | 15.1 |
| Variation of the observer position for the luminaire distances S | | | | | | | | | | | |
| S = 1.0H | +2.5 / -1.0 | | | | | +2.5 / -1.0 | | | | | |
| S = 1.5H | +4.6 / -1.2 | | | | | +4.6 / -1.2 | | | | | |
| S = 2.0H | +6.5 / -1.5 | | | | | +6.5 / -1.5 | | | | | |
| Standard table Correction Summand | --- | | | | | --- | | | | | |
| Corrected Glare Indices referring to 2500lm Total Luminous Flux | | | | | | | | | | | |

| Vivid Model Colour Temperature | 2700K | 3000K | 3500K | 4000K | Light Pink |
|-----------------------------------|-------|-------|-------|-------|------------|
| 📖 Reading | | | • | • | |
| 🥬 Fruits & Vegetables | | • | • | | |
| 🍩 Bakery | • | | | | |
| 👤 Retail | | • | • | | |
| 💄 Cosmetics | | | • | • | |
| 🥩 Meat | | | | | • |
| 🐟 Fish | | | | • | |
| 🐠 Seafood | | | | • | • |



For some of its products, Arkoslight offers the possibility to provide them with a special LED, designed to create an illumination focused on visually promoting goods or products for commercial purposes. It is a high chromaticity LED, capable of identifying the colour shades that produce a positive psychological perception of the illuminated object.

This special LED lighting source offers a much more attractive and intense colour range than a conventional LED, besides being much wider. Technically, this is possible thanks to a special LED setting that includes a «special saturation parameter», capable of highlighting the objects colours and materials in such a way that they seem more attractive within the visible light spectrum. To achieve this performance, in each case, the appropriate diode and specific phosphor coating are carefully selected.



Fuente de luz (LED) reemplazable por un profesional autorizado

Replaceable (LED only) light source by an authorized professional.

Source lumineuse (LED) remplaçable par un professionnel agréé

Sorgente luminosa (LED) sostituibile da parte di un professionista autorizzato

Austauschbare (LED) Lichtquelle durch einen autorisierten Fachmann



Equipo de control reemplazable por un profesional autorizado

Replaceable control gear by an authorized professional

Dispositif de commande remplaçable par un professionnel agréé

Alimentatore sostituibile da parte di un professionista autorizzato

Auswechselbares Betriebsgerät durch autorisierten Fachmann

INSTRUCCIONES PARA EL FINAL DE VIDA Y LA ELIMINACIÓN LOS COMPONENTES
 INSTRUCTIONS ON END-OF-LIFE AND COMPONENT DISPOSAL
 INSTRUCTIONS POUR LA GESTION DES COMPOSANTS EN FIN DE VIE ET LEUR MISE AU REBUT
 ISTRUZIONI PER IL FINE VITA E LO SMALTIMENTO DEI COMPONENTI
 ANWEISUNGEN ZUR ENTSORGUNG DER LEUCHTENKOMPONENTEN



Interrumpir la alimentación del aparato
 Cut the power supply to the luminaire
 Couper l'alimentation du luminaire
 Interrompere l'alimentazione dell'apparecchio
 Stromversorgung der Leuchte unterbrechen



Quitar la(s) fuente(s) de luz para el desecho
 Remove light source(s) for disposal
 Retirer la (les) source(s) lumineuse(s) pour l'élimination
 Rimuovere la/le sorgente/e di luce per lo smaltimento
 Lichtquelle(n) zur Entsorgung entfernen



Quitar la batería para el desecho
 Remove the battery for decommissioning
 Retirer la batterie pour sa mise au rebut
 Rimuovere la batteria per la dismissione
 Die Batterie ordnungsgemäß entsorgen



Quitar el equipo de control para el desecho
 Remove control gear for disposal
 Retirer le dispositif de commande pour l'élimination
 Rimuovere l'alimentatore per lo smaltimento
 Betriebsgerät zur Entsorgung ausbauen



Enviar los materiales a un centro de recogida RAEE
 Send the materials to a WEEE collection centre
 Envoyer les matériaux dans une déchetterie DEEE
 Inviare i materiali ad un centro di raccolta RAEE
 Die Materialien in einem WEEE-Zentrum entsorgen

