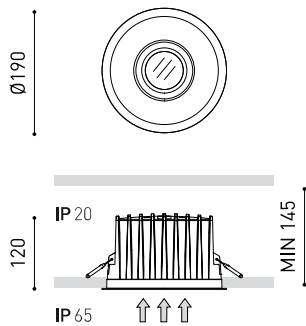




DIMENSIONES



ACCESORIOS



HIGH CHROMATIC LED

Nombre	DUOMO IP65 2 DIM DALI 4000K W
Referencia	A2850242W
Color	White
RAL	Colour in the mass looks alike RAL 9016
Categoría	CEILING RECESSED

PRODUCTO

FUENTE DE LUZ

Tipo	LED
Flujo Luminoso	5200 lm
Temperatura de color	4000 K - Other K, please consult
Estabilidad cromática	MacAdam Step 2
Índice de reproducción cromática	CRI > 90
Potencia	41 W
Corriente	1200 mA
Eficacia	127 lm/W
Horas de Vida del LED	L90B10 > 55.000h

LUMINARIA | DATOS FOTOMÉTRICOS

Eficiencia Lumínica	80%
Ángulo del haz de luz	42°

LUMINARIA | DATOS ELÉCTRICOS

Driver	Included - Connected
Potencia del sistema	45,66 W
Tensión	220V/240V
Frecuencia	50/60 Hz
Regulación	DALI
Clase de seguridad eléctrica	<input type="checkbox"/>

OTROS DATOS

Estanqueidad	IP65/20
Control inalámbrico	Please Consult
Alimentación de emergencia	Please Consult
Medidas de empotramiento	Ø177 mm
Peso	1720 g
Peso con embalaje	1966 g
Dimensiones embalaje	244 x 227 x 161 mm
Unidades por embalaje	1
Materiales	Aluminium / Polycarbonate / Optical glass



Combine an elevated luminous flux with an excellent visual comfort: this is the virtue of Duomo. Its recessed LED and its optical glass lense reduce the luminaires UGR value and its ant-glare lampshade diminishes reflections. Duomo is convenient for applications with big ceiling heights and projects with high light level requirements. Conceived to cover demands of general lighting, its conical light distribution offers a very uniform lighting.

DIAGRAMA POLAR

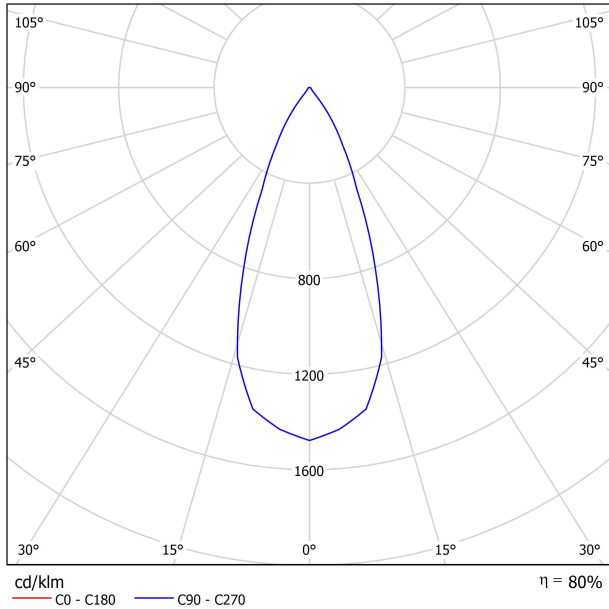
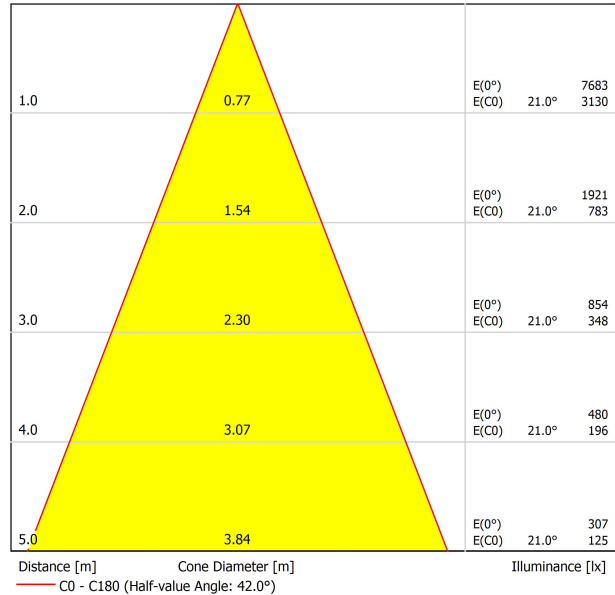


DIAGRAMA CÓNICO



UGR

Glare Evaluation According to UGR											
ρ Ceiling		70	70	50	50	30	70	70	50	50	30
ρ Walls		50	30	50	30	30	50	30	50	30	30
ρ Floor		20	20	20	20	20	20	20	20	20	20
Room Size X Y		Viewing direction at right angles to lamp axis					Viewing direction parallel to lamp axis				
2H	2H	8.0	8.7	8.3	8.9	9.1	8.0	8.7	8.3	8.9	9.1
	3H	10.4	11.1	10.7	11.3	11.5	10.4	11.1	10.7	11.3	11.5
	4H	11.7	12.3	12.0	12.5	12.8	11.7	12.3	12.0	12.5	12.8
	6H	13.0	13.5	13.3	13.8	14.1	13.0	13.5	13.3	13.8	14.1
	8H	13.7	14.2	14.0	14.5	14.8	13.7	14.2	14.0	14.5	14.8
4H	12H	14.4	14.9	14.8	15.2	15.6	14.4	14.9	14.8	15.2	15.6
	2H	8.8	9.4	9.1	9.6	9.9	8.8	9.4	9.1	9.6	9.9
	3H	11.5	12.0	11.8	12.3	12.6	11.5	12.0	11.8	12.3	12.6
	4H	12.9	13.3	13.3	13.7	14.0	12.9	13.3	13.3	13.7	14.0
	6H	14.4	14.8	14.8	15.1	15.5	14.4	14.8	14.8	15.1	15.5
8H	8H	15.2	15.5	15.6	15.9	16.3	15.2	15.5	15.6	15.9	16.3
	12H	16.1	16.4	16.5	16.8	17.2	16.1	16.4	16.5	16.8	17.2
	4H	13.5	13.8	13.9	14.2	14.6	13.5	13.8	13.9	14.2	14.6
	6H	15.3	15.5	15.7	15.9	16.4	15.3	15.5	15.7	15.9	16.4
	8H	16.2	16.4	16.7	16.9	17.3	16.2	16.4	16.7	16.9	17.3
12H	12H	17.3	17.5	17.8	17.9	18.4	17.3	17.5	17.8	17.9	18.4
	4H	13.6	13.9	14.1	14.3	14.7	13.6	13.9	14.1	14.3	14.7
	6H	15.5	15.7	16.0	16.1	16.6	15.5	15.7	16.0	16.1	16.6
8H	16.6	16.7	17.0	17.2	17.7	16.6	16.7	17.0	17.2	17.7	
Variation of the observer position for the luminaire distances S											
S = 1.0H		+2.5 / -1.0					+2.5 / -1.0				
S = 1.5H		+4.6 / -1.2					+4.6 / -1.2				
S = 2.0H		+6.5 / -1.5					+6.5 / -1.5				
Standard table Correction Summand		---					---				
Corrected Glare Indices referring to 5200lm Total Luminous Flux											

Vivid Model Colour Temperature	2700K	3000K	3500K	4000K	Light Pink
📖 Reading			•	•	
🥕 Fruits & Vegetables		•	•		
🍞 Bakery	•				
👤 Retail		•	•		
💄 Cosmetics			•	•	
🥩 Meat					•
🐟 Fish				•	
🐠 Seafood				•	•



For some of its products, Arkoslight offers the possibility to provide them with a special LED, designed to create an illumination focused on visually promoting goods or products for commercial purposes. It is a high chromaticity LED, capable of identifying the colour shades that produce a positive psychological perception of the illuminated object.

This special LED lighting source offers a much more attractive and intense colour range than a conventional LED, besides being much wider. Technically, this is possible thanks to a special LED setting that includes a «special saturation parameter», capable of highlighting the objects colours and materials in such a way that they seem more attractive within the visible light spectrum. To achieve this performance, in each case, the appropriate diode and specific phosphor coating are carefully selected.



Fuente de luz (LED) reemplazable por un profesional autorizado
 Replaceable (LED only) light source by an authorized professional.
 Source lumineuse (LED) remplaçable par un professionnel agréé
 Sorgente luminosa (LED) sostituibile da parte di un professionista autorizzato
 Austauschbare (LED) Lichtquelle durch einen autorisierten Fachmann



Equipo de control reemplazable por un profesional autorizado
 Replaceable control gear by an authorized professional
 Dispositif de commande remplaçable par un professionnel agréé
 Alimentatore sostituibile da parte di un professionista autorizzato
 Auswechselbares Betriebsgerät durch autorisierten Fachmann

INSTRUCCIONES PARA EL FINAL DE VIDA Y LA ELIMINACIÓN LOS COMPONENTES
 INSTRUCTIONS ON END-OF-LIFE AND COMPONENT DISPOSAL
 INSTRUCTIONS POUR LA GESTION DES COMPOSANTS EN FIN DE VIE ET LEUR MISE AU REBUT
 ISTRUZIONI PER IL FINE VITA E LO SMALTIMENTO DEI COMPONENTI
 ANWEISUNGEN ZUR ENTSORGUNG DER LEUCHTENKOMPONENTEN



Interrumpir la alimentación del aparato
 Cut the power supply to the luminaire
 Couper l'alimentation du luminaire
 Interrompere l'alimentazione dell'apparecchio
 Stromversorgung der Leuchte unterbrechen



Quitar la(s) fuente(s) de luz para el desecho
 Remove light source(s) for disposal
 Retirer la (les) source(s) lumineuse(s) pour l'élimination
 Rimuovere la/le sorgente/e di luce per lo smaltimento
 Lichtquelle(n) zur Entsorgung entfernen



Quitar la batería para el desecho
 Remove the battery for decommissioning
 Retirer la batterie pour sa mise au rebut
 Rimuovere la batteria per la dismissione
 Die Batterie ordnungsgemäß entsorgen



Quitar el equipo de control para el desecho
 Remove control gear for disposal
 Retirer le dispositif de commande pour l'élimination
 Rimuovere l'alimentatore per lo smaltimento
 Betriebsgerät zur Entsorgung ausbauen

Enviar los materiales a un centro de recogida RAEE
 Send the materials to a WEEE collection centre
 Envoyer les matériaux dans une déchetterie DEEE
 Inviare i materiali ad un centro di raccolta RAEE
 Die Materialien in einem WEEE-Zentrum entsorgen

