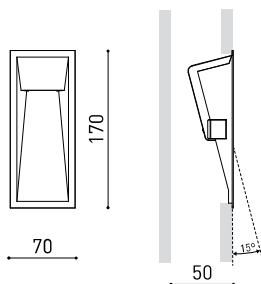




#### DIMENSIONS



#### ACCESSORIES



DRIVER OPTIONS



CONCRETE BOX ACCESSORY

#### PRODUCT

Name WALLY W/O EQ 3000K W

Reference A3530001W

Color White

RAL Colour in the mass looks alike RAL 9016

Category WALL, FLOOR &amp; PORTABLE

#### LIGHT SOURCE

Type LED

Gross luminous flux 270 / 360 lm

Colour temperature 3000 K

Chromatic stability MacAdam Step 2

Colour Rendering Index CRI &gt; 90

Power 2,1 / 3 W

Current 250 / 350 mA

Efficacy 129 / 120 lm/W

LED lifespan L90B10 &gt; 55.000h

#### LIGHTING FIXTURE | PHOTOMETRIC DATA

Lighting efficiency 23%

Light beam angle 73°

#### LIGHTING FIXTURE | ELECTRICAL DATA

Driver Excluded: Must be placed on remote

Dimming No Dim / DALI

Electrical insulation class III

#### OTHER DATA

Sealing IP20

Wireless control Please Consult

Recess measurements 62 x 162 mm

Weight 160 g

Packaged weight 190 g

Packaging dimensions 180 x 78 x 55 mm

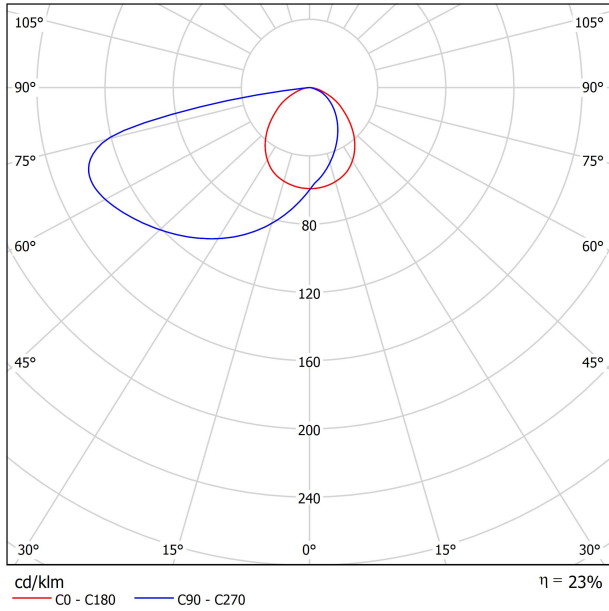
Units per package 1

Materials Aluminium / Polycarbonate

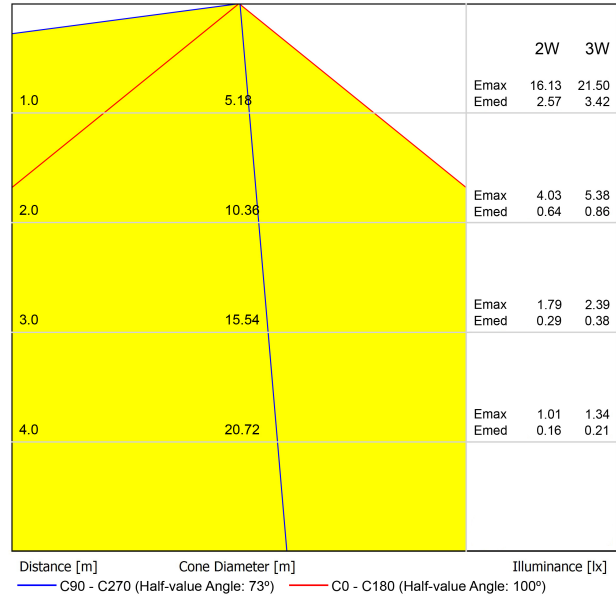


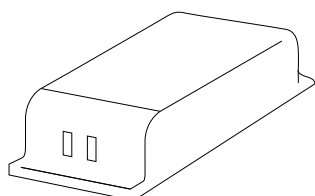
Wally is a floor wash light with geometrical and architectural shapes. It has been designed in one single piece so that it fits perfectly in the wall, with a clean visual transition between planes, with no division lines. Its ultrafine frame helps it to blend visually with the installation surface, illuminating corridors, stairs and transit areas with total discretion.

POLAR DIAGRAM



CONICAL DIAGRAM

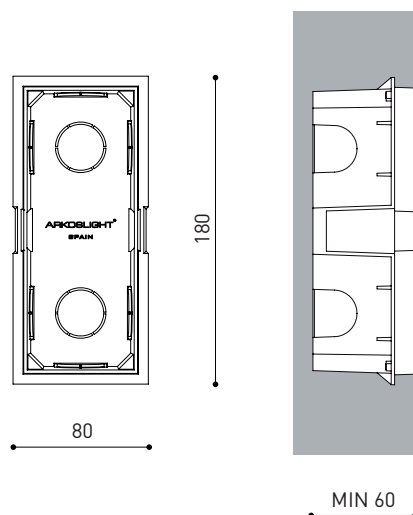




DRIVER OPTIONS*		P	I	
NO DIM	<b>0434-01-30</b>	2,1W	250mA	1 to 3 WALLY
	<b>0486-04-35</b>	3W	350mA	1 WALLY
	<b>0434-00-39</b>	3W	350mA	1 to 4 WALLY
DIM DALI	<b>0434-01-29</b>	2,1W	250mA	1 to 3 WALLY
	<b>0434-00-79</b>	3W	350mA	1 to 4 WALLY

220  
240 V~

Driver must be placed on remote



PRODUCT	
Model	Wally Concrete box Accessory
Reference	A353-90-00
Category	Accessories



185 X 85

Wally's auxiliary box allows it to be installed inside concrete walls. (It is not needed when installed in cardboard or plaster walls).  
 This accessory can be purchased independently, for the subsequent placement of Wally once the works have been finished.



Fuente de luz (LED) reemplazable por un profesional autorizado

Replaceable (LED only) light source by an authorized professional.

Source lumineuse (LED) remplaçable par un professionnel agréé

Sorgente luminosa (LED) sostituibile da parte di un professionista autorizzato

Austauschbare (LED) Lichtquelle durch einen autorisierten Fachmann



Equipo de control reemplazable por un profesional autorizado

Replaceable control gear by an authorized professional

Dispositif de commande remplaçable par un professionnel agréé

Alimentatore sostituibile da parte di un professionista autorizzato

Auswechselbares Betriebsgerät durch autorisierten Fachmann

INSTRUCCIONES PARA EL FINAL DE VIDA Y LA ELIMINACIÓN LOS COMPONENTES  
 INSTRUCTIONS ON END-OF-LIFE AND COMPONENT DISPOSAL  
 INSTRUCTIONS POUR LA GESTION DES COMPOSANTS EN FIN DE VIE ET LEUR MISE AU REBUT  
 ISTRUZIONI PER IL FINE VITA E LO SMALTIMENTO DEI COMPONENTI  
 ANWEISUNGEN ZUR ENTSORGUNG DER LEUCHTENKOMPONENTEN



Interrumpir la alimentación del aparato  
 Cut the power supply to the luminaire  
 Couper l'alimentation du luminaire  
 Interrompere l'alimentazione dell'apparecchio  
 Stromversorgung der Leuchte unterbrechen



Quitar la(s) fuente(s) de luz para el desecho  
 Remove light source(s) for disposal  
 Retirer la (les) source(s) lumineuse(s) pour l'élimination  
 Rimuovere la/le sorgente/e di luce per lo smaltimento  
 Lichtquelle(n) zur Entsorgung entfernen



Quitar la batería para el desecho  
 Remove the battery for decommissioning  
 Retirer la batterie pour sa mise au rebut  
 Rimuovere la batteria per la dismissione  
 Die Batterie ordnungsgemäß entsorgen



Quitar el equipo de control para el desecho  
 Remove control gear for disposal  
 Retirer le dispositif de commande pour l'élimination  
 Rimuovere l'alimentatore per lo smaltimento  
 Betriebsgerät zur Entsorgung ausbauen



Enviar los materiales a un centro de recogida RAEE  
 Send the materials to a WEEE collection centre  
 Envoyer les matériaux dans une déchetterie DEEE  
 Inviare i materiali ad un centro di raccolta RAEE  
 Die Materialien in einem WEEE-Zentrum entsorgen

