



## Dimensions



## Accessories



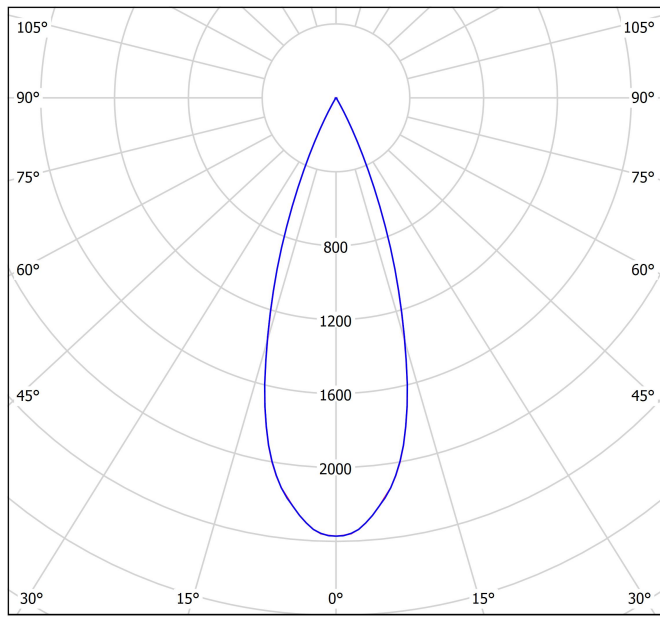
CORD ACCESSORY

<b>Name</b>	PIPE BASE 5M FLOOD DIM PH.CUT 2700K NTMG
<b>Reference</b>	A4882510NTMG
<b>Colour</b>	Textured black-Metallized gold
<b>Base Finishing</b>	Textured black
<b>RAL</b>	Metallic finish
<b>Category</b>	SUSPENSION
<b>Type</b>	LED
<b>Gross luminous flux</b>	620 lm
<b>Colour temperature</b>	2700 K
<b>Chromatic stability</b>	MacAdam Step 2
<b>Colour Rendering Index</b>	CRI>90
<b>Power</b>	6 W
<b>Current</b>	500 mA
<b>Efficacy</b>	103 lm/W
<b>LED lifespan</b>	L80B10 >60.000h
<b>Energy efficiency class</b>	F
<b>Lighting efficiency</b>	78%
<b>Light beam angle</b>	34°
<b>Driver</b>	Included
<b>Power values of the system</b>	8,28 W
<b>Frequency</b>	50/60 Hz
<b>Dimming</b>	Phase Cut - Other DIM, please consult
<b>Electrical insulation class</b>	<input type="checkbox"/>
<b>Sealing</b>	IP20
<b>Wireless control</b>	Please Consult
<b>Cord length</b>	Max. 5 m
<b>Fast adjustment tensioner</b>	No
<b>Weight</b>	660 g
<b>Packaged weight</b>	795 g
<b>Packaging dimensions</b>	319 x 148 x 77 mm
<b>Units per package</b>	1
<b>Materials</b>	Aluminium / Acrylonitrile Butadiene Styrene / Polycarbonate
<b>PRODUCT</b>	
<b>LIGHT SOURCE</b>	
<b>LIGHTING FIXTURE   PHOTOMETRIC DATA</b>	
<b>LIGHTING FIXTURE   ELECTRICAL DATA</b>	
<b>OTHER DATA</b>	



Pipe is created from the harmony of fine lines and geometric shapes. With a more compact body and the incorporation of 'The Invisible Black' effect, which contemplates its composition by playing with units by arrangement and height.

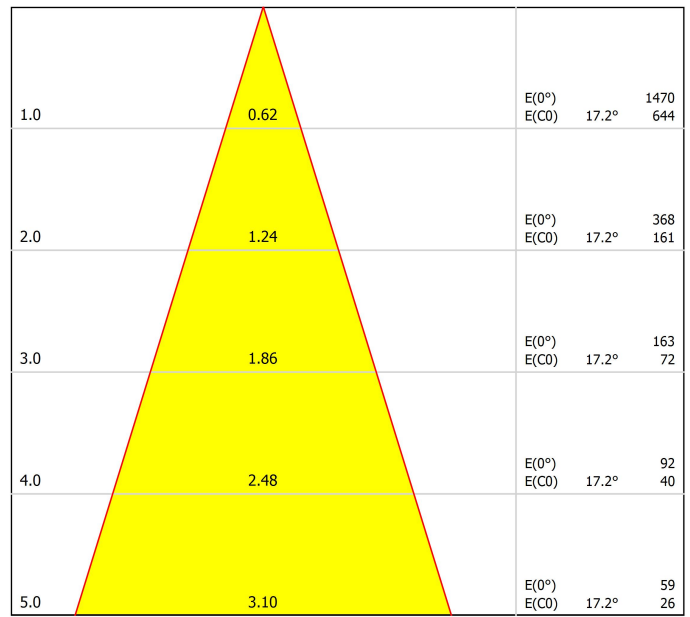
Polar diagram



cd/klm  
 — C0 - C180 — C90 - C270

$\eta = 78\%$

Conical diagram



Distance [m] Cone Diameter [m]

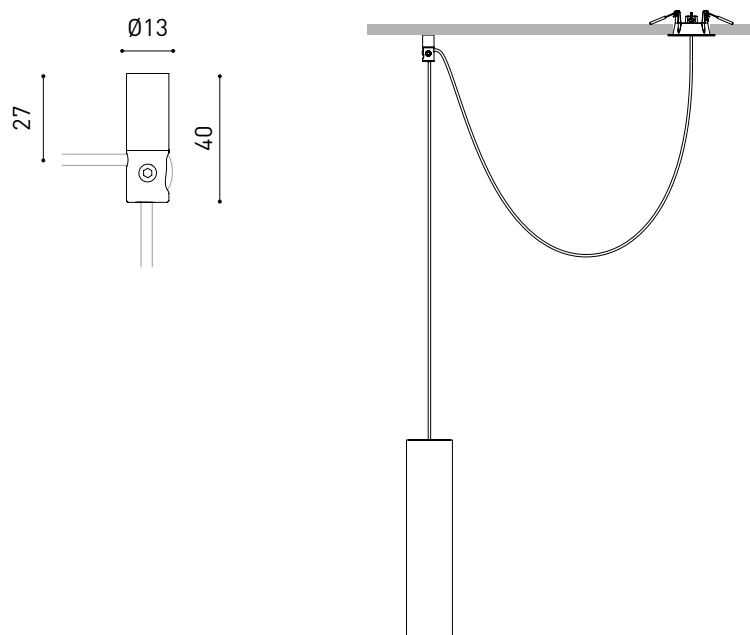
Illuminance [lx]

— C0 - C180 (Half-value Angle: 34.4°)



PRODUCT	
Model	Cord Accessory
Reference	0223-00-00   W   N
Colour	W <input type="checkbox"/> RAL 9016   N <input type="checkbox"/> RAL9005
Category	Accessories

### Dimensional drawing





## DRIVER

0000-94-44	DRIVER PHASE CUT 7W 500mA
------------	---------------------------

## PHASE CUT DIMMERS TESTED FOR COMPATIBILITY:

Brand / Manufacturer	Model number	Dimming Type
Busch-Jaeger	6523 U-102	Trailing edge
Busch-Jaeger	6523 UR-103	Trailing edge
Niko	310-0190X	Trailing edge
Jung	LB-Management	Trailing edge
HZC Electric	AU-P3	Trailing edge
Philips	SED-200A	Trailing edge
Merten/Schneider	SBD315RC	Trailing edge
Etman	ETM327	Trailing edge
Etman	ETM329	Trailing edge
Etman (EGANT)	U321V2	Trailing edge
Casambi	CBU-TED	Trailing edge

THE PARTICULAR CONDITIONS OF EACH INSTALLATION AND THE SPECIFICATIONS AND CONDITIONS OF USE OF EACH REGULATOR, MAY DIFFER FROM THOSE CONSIDERED IN THE COMPATIBILITY TESTING, AND AFFECT ITS PERFORMANCE IN SAID INSTALLATION.



Fuente de luz (LED) reemplazable por un profesional autorizado

Replaceable (LED only) light source by an authorized professional.

Source lumineuse (LED) remplaçable par un professionnel agréé

Sorgente luminosa (LED) sostituibile da parte di un professionista autorizzato

Austauschbare (LED) Lichtquelle durch einen autorisierten Fachmann



Equipo de control reemplazable por un profesional autorizado

Replaceable control gear by an authorized professional

Dispositif de commande remplaçable par un professionnel agréé

Alimentatore sostituibile da parte di un professionista autorizzato

Auswechselbares Betriebsgerät durch autorisierten Fachmann

## Instrucciones para el final de vida y la eliminación de los componentes:

### Instructions on end-of-life and component disposal:

### Instructions pour la gestion des composants en fin de vie et leur mise au rebut :

### Istruzioni per il fine vita e lo smaltimento dei componenti:

### Anweisungen zur entsorgung der Leuchtenkomponenten:



Interrumpir la alimentación del aparato  
Cut the power supply to the luminaire  
Couper l'alimentation du luminaire  
Interrompere l'alimentazione dell'apparecchio  
Stromversorgung der Leuchte unterbrechen



Quitar la(s) fuente(s) de luz para el desecho  
Remove light source(s) for disposal  
Retirer la (les) source(s) lumineuse(s) pour l'élimination  
Rimuovere la/le sorgente/e di luce per lo smaltimento  
Lichtquelle(n) zur Entsorgung entfernen



Quitar la batería para el desecho  
Remove the battery for decommissioning  
Retirer la batterie pour sa mise au rebut  
Rimuovere la batteria per la dismissione  
Die Batterie ordnungsgemäß entsorgen



Quitar el equipo de control para el desecho  
Remove control gear for disposal  
Retirer le dispositif de commande pour l'élimination  
Rimuovere l'alimentatore per lo smaltimento  
Betriebsgerät zur Entsorgung ausbauen



Enviar los materiales a un centro de recogida RAEE  
Send the materials to a WEEE collection centre  
Envoyer les matériaux dans une déchetterie DEEE  
Inviare i materiali ad un centro di raccolta RAEE  
Die Materialien in einem WEEE-Zentrum entsorgen

