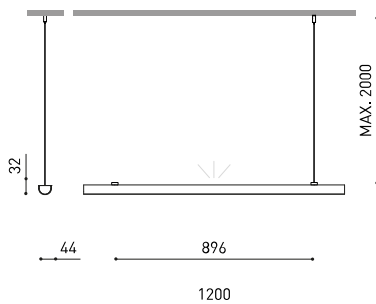


Dimensions



Accessories



DRIVER OPTIONS



CANOPY OPTIONS
(MANDATORY)

Name	DIVI INDIRECT END 3000K NT
Reference	A5380231NT
Colour	Textured black
RAL	9005
Category	CUSTOM SYSTEMS

Type	LED
Gross luminous flux	1650 lm
Colour temperature	3000 K
Chromatic stability	MacAdam Step 2
Colour Rendering Index	CRI>90
Power	13,5 W
Efficacy	122 lm/W
LED lifespan	L80B10 >60.000h
Energy efficiency class	E

Lighting efficiency	51%
Light beam angle	115°

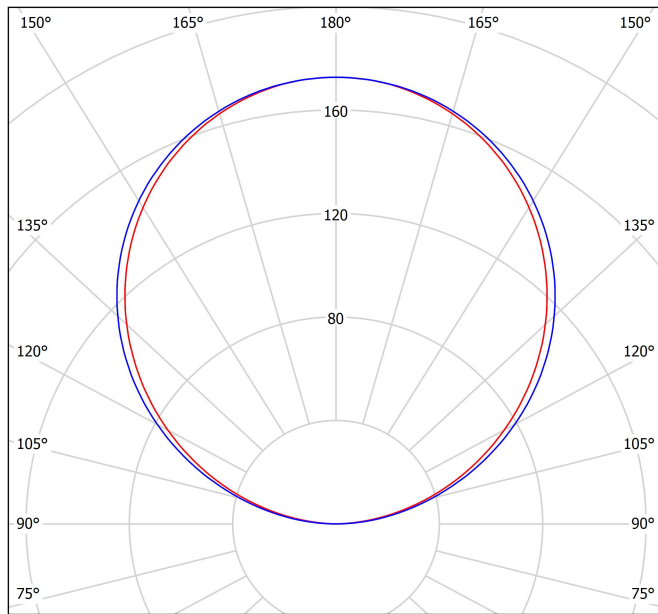
Driver	Excluded
Dimming	No Dim / DALI / Push
Electrical insulation class	III

Sealing	IP20
Cord length	Max. 2 m
Fast adjustment tensioner	Yes
Diffuser included	Yes
Weight	1460 g
Packaged weight	1967 g
Packaging dimensions	Ø81 x 1235 mm
Units per package	1
Materials	Aluminium / Polycarbonate



The Divi suspension was developed as a contemporary reinterpretation of the most fundamental industrial forms. The design of this product was created by Norwegian designer Lars Tornøe. Its concept is based on the division and precise longitudinal cut of an aluminum cylinder that pivots on its own axis. By combining successive modules of direct and indirect light, Divi facilitates an infinite number of decorative compositions, both open and closed.

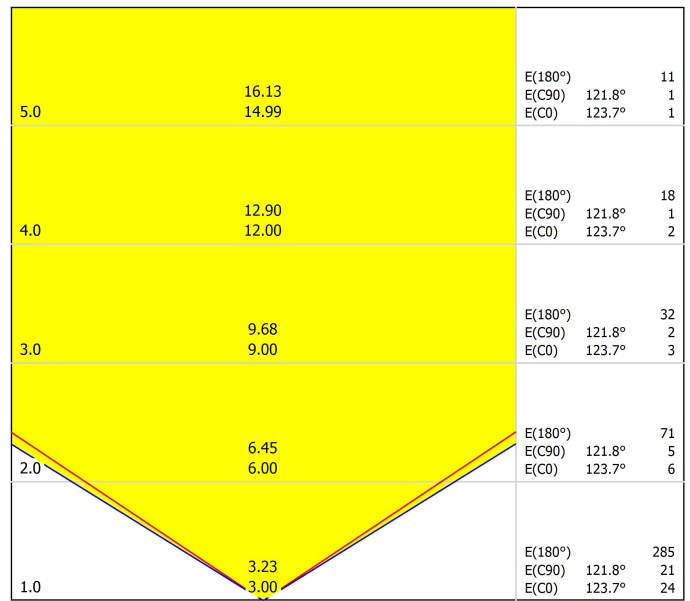
Polar diagram



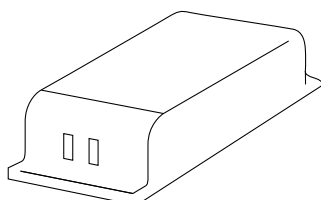
cd/klm
 — C0 - C180 — C90 - C270

$\eta = 51\%$

Conical diagram



Distance [m] Cone Diameter [m] Illuminance [lx]
 — C0 - C180 (Half-value Angle: 112.6°)
 — C90 - C270 (Half-value Angle: 116.4°)

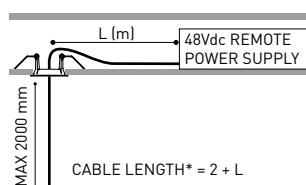
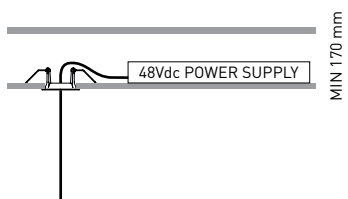


CONSTANT VOLTAGE LED POWER SUPPLY		P	V	Nº of modules
ON/OFF	0434-01-62	150W	48V	2 - 8
DIM DALI / PUSH	0434-02-16	100W	48V	2 - 6

220
240 V~

To be installed with the DIVI INITIAL or INITIAL & END modules
Driver can be placed on remote

Connection diagram:



DROP VOLTAGE TABLE	CABLE LENGTH* (m)		
	<10	<20	<30
POWER (W)	MAX Nº OF MODULES		
100	6	6	6
150	8	7	6

MANDATORY FOR INSTALLATION

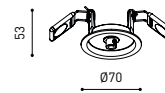
Ceiling canopy

Select the most suitable canopy type according to the technical requirements of your installation.

Recessed

Recessed Canopy

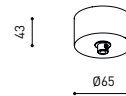
A538-00-00- | WT | NT |



Surface + remote driver

Surface Remote feed kit 48V

A538-00-11- | WT | NT |



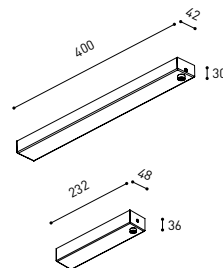
Surface

Surface ON/OFF Box 48V

A538-00-21- | WT | NT |

Surface DALI Box 48V

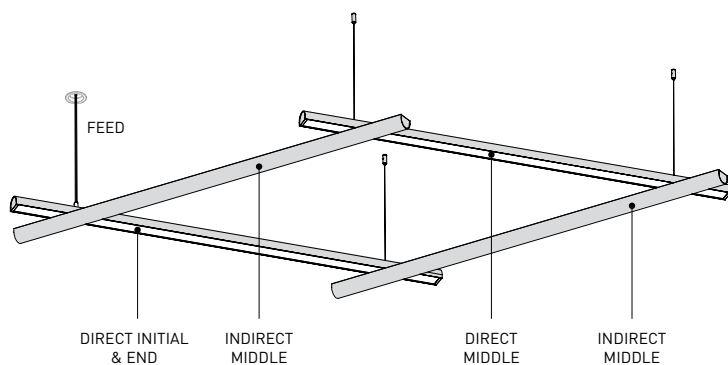
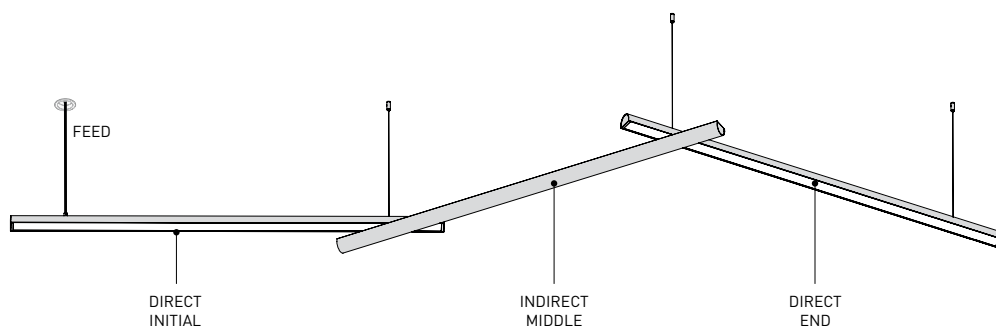
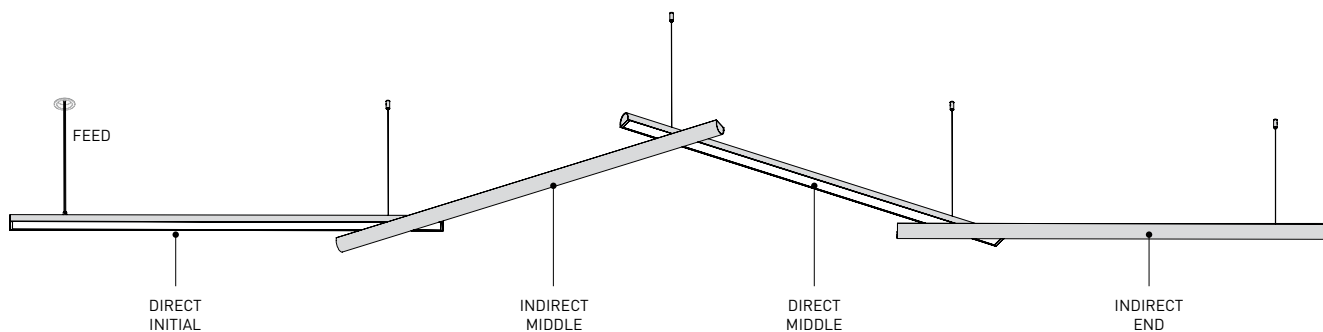
A538-00-22- | WT | NT |



Divi custom system examples

ARKOSLIGHT

MINIMUM ASSEMBLY: 2 PROFILES





Fuente de luz (LED) reemplazable por un profesional autorizado
 Replaceable (LED only) light source by an authorized professional.
 Source lumineuse (LED) remplaçable par un professionnel agréé
 Sorgente luminosa (LED) sostituibile da parte di un professionista autorizzato
 Austauschbare (LED) Lichtquelle durch einen autorisierten Fachmann



Equipo de control reemplazable por un profesional autorizado
 Replaceable control gear by an authorized professional
 Dispositif de commande remplaçable par un professionnel agréé
 Alimentatore sostituibile da parte di un professionista autorizzato
 Auswechselbares Betriebsgerät durch autorisierten Fachmann

Instrucciones para el final de vida y la eliminación de los componentes:

Instructions on end-of-life and component disposal:

Instructions pour la gestion des composants en fin de vie et leur mise au rebut :

Istruzioni per il fine vita e lo smaltimento dei componenti:

Anweisungen zur entsorgung der Leuchtenkomponenten:



Interrumpir la alimentación del aparato
 Cut the power supply to the luminaire
 Couper l'alimentation du luminaire
 Interrompere l'alimentazione dell'apparecchio
 Stromversorgung der Leuchte unterbrechen



Quitar la(s) fuente(s) de luz para el desecho
 Remove light source(s) for disposal
 Retirer la (les) source(s) lumineuse(s) pour l'élimination
 Rimuovere la/le sorgente/e di luce per lo smaltimento
 Lichtquelle(n) zur Entsorgung entfernen



Quitar la batería para el desecho
 Remove the battery for decommissioning
 Retirer la batterie pour sa mise au rebut
 Rimuovere la batteria per la dismissione
 Die Batterie ordnungsgemäß entsorgen



Quitar el equipo de control para el desecho
 Remove control gear for disposal
 Retirer le dispositif de commande pour l'élimination
 Rimuovere l'alimentatore per lo smaltimento
 Betriebsgerät zur Entsorgung ausbauen



Enviar los materiales a un centro de recogida RAEE
 Send the materials to a WEEE collection centre
 Envoyer les matériaux dans une déchetterie DEEE
 Inviare i materiali ad un centro di raccolta RAEE
 Die Materialien in einem WEEE-Zentrum entsorgen

